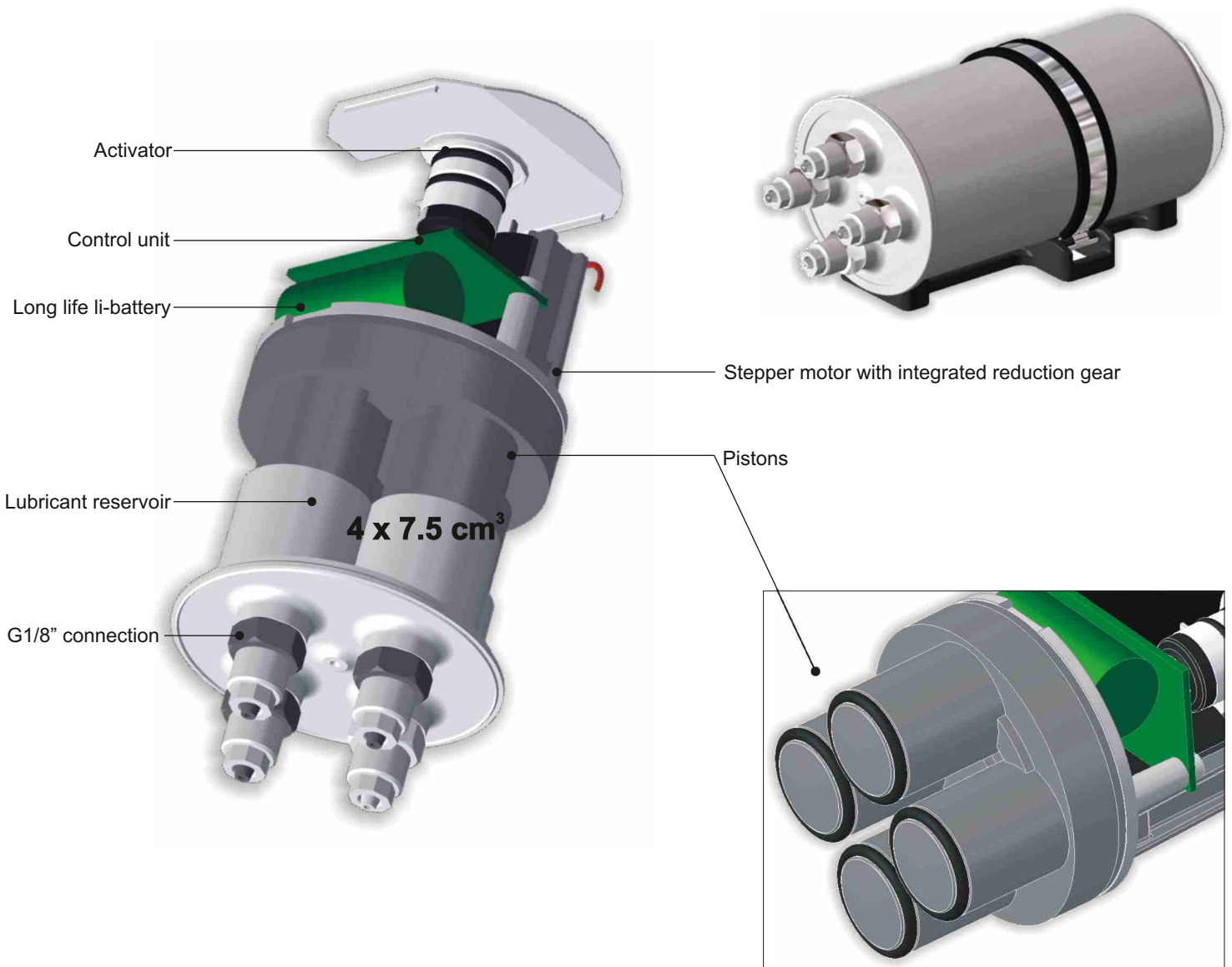


# The Smart Electro-Mechanical Lubrication Unit



## LUBCON® QuattroMax 30

**QuattroMax 30** is an electro-mechanical lubrication unit, automatically dispensing lubricant to 4 lube points. It is suitable for greases as well as oils and has a running-time of up to 3 years. **QuattroMax 30** delivers a fixed minimal quantity of lubricant (0.017 g) with every pump stroke to each pre-defined point and is particularly suitable for the lubrication of high speed spindle bearings.



### The Electro-Mechanical Lubrication Unit

- ✓ economical
- ✓ robust and reliable
- ✓ long term lubrication
- ✓ precise lubrication of a minimal quantity

# LUBCON® QuattroMax 30



## The Smart Electro-Mechanical Lubrication Unit

### Modern Lubrication Providing Best Machine Performance and Reliability

#### ■ Economical

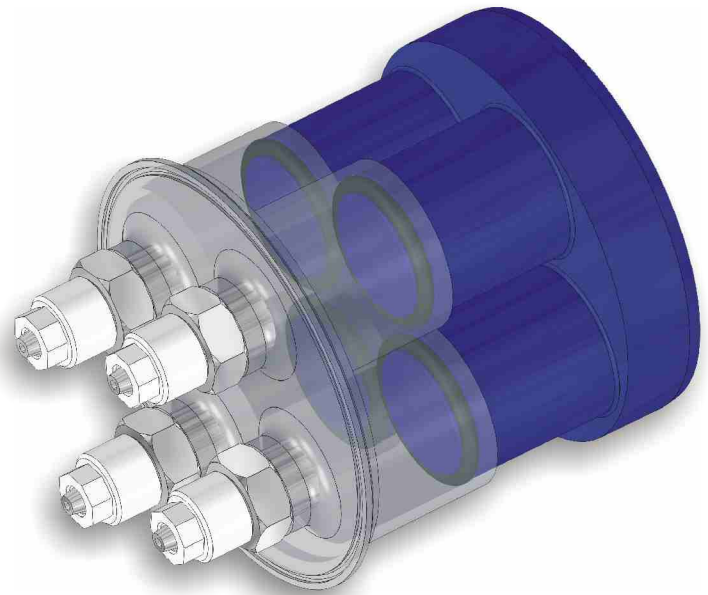
- ✓ long-term lubrication for four lubrication points
- ✓ easy installation and activation
- ✓ automatic lubricant supply 24/7
- ✓ optimal metering of the lubricant
- ✓ combination of high-performance lubricants and intelligent lubrication device
- ✓ battery-driven, no external power needed

#### ■ Robust and Reliable

- ✓ closed metal housing
- ✓ completely sealed unit
- ✓ performs in extreme environmental conditions (dust, water, heat)
- ✓ installation in any position

#### ■ Lubrication over Long Periods

- ✓ individually adjustable operating time
- ✓ operating time up to 36 months
- ✓ lubrication device for minimum quantities  
e. g. at 3 years operating time: 2.5 cm<sup>3</sup> per year and outlet



## LUBCON Lubrication System

The **QuattroMax 30** lubricant reservoir of 30 cm<sup>3</sup> (4 chambers with each 7.5 cm<sup>3</sup> volume) is sealed and unpressurized in an aluminium housing. Through the controlled and gradual movement of the pistons, the lubricant is pushed forward to the corresponding outlet and to the lubrication point.

The piston pressure may vary slightly from outlet to outlet but the lubricant volume output remains constant. The forward motion of the pistons is operated by a geared motor and a spindle drive. The activation and control of the motor and pistons are monitored via a microprocessor. A fixed, non-removable lithium battery powers the electronic circuit and the motor. The maximum operating time of the QuattroMax 30 is 3 years.

| Technical Data              | QuattroMax 30                                     |
|-----------------------------|---|
| Lubricant volume            | 30 cm <sup>3</sup> (4 x 7.5 cm <sup>3</sup> )     |
| Feed rate                   | 0,017 cm <sup>3</sup> /stroke per outlet          |
| Operating time              | individual up to 36 months                        |
| Suitable lubricants         | oils, greases up to NLGI class 2                  |
| Dimensions (D x L)          | 67 mm x 145.5 mm (2.6" x 5.7")                    |
| Fitting                     | G 1/8"  |
| Housing material            | aluminium   |
| Maximum length of tube      | 2 m (6 ft)  |
| Recommended tube diameter   | 4.3 mm (outer diameter),<br>3 mm (inner diameter) |
| Operating temperature range | -20 °C*) up to +70 °C /<br>-4 °F up to +158 °F    |
| Maximum feed pressure       | 20 bar / 290 psi                                  |
| Protection class            | IP68  |
| Drive                       | electro-mechanical                                |
| Weight without lubricant    | 350 g / 12.4 oz                                   |

\*) Lower temperature limit depending on the NLGI class

## Accessories

Mounting bracket with metal-rubber fixture

Tube connector G 1/8" or NPT 1/8"

PA tube 4.3 x 3 mm



### LUBCON Service + Systems GmbH Lubrication Systems

Gutenbergstraße 13 · 63477 Maintal · GERMANY · P.O. Box 20 02 40 · 63469 Maintal · GERMANY  
Tel.: +49 6109 7650-7700 · Fax: +49 6109 7650-7755 · Email: lub@lubcon.eu · www.lubcon.eu

This brochure only contains product information. For specific information please refer to our technical data and safety data sheets. The indications made represent the present state of development and knowledge of LUBCON Service + Systems GmbH which is subject to change without notification. The products are subject to severe controls of manufacture and comply in full with the specifications set forth by our company, but due to the multitude of different influencing factors, we cannot assume any warranty for the successful application in each individual case. Therefore, we recommend performing field tests. We strictly refuse any liability. The implementation of automatic lubrication systems does not discharge the user from the obligation to check regularly the lubrication points.